

4

3

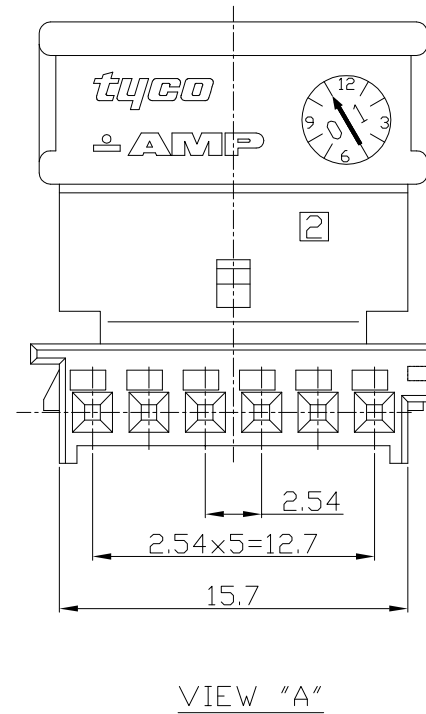
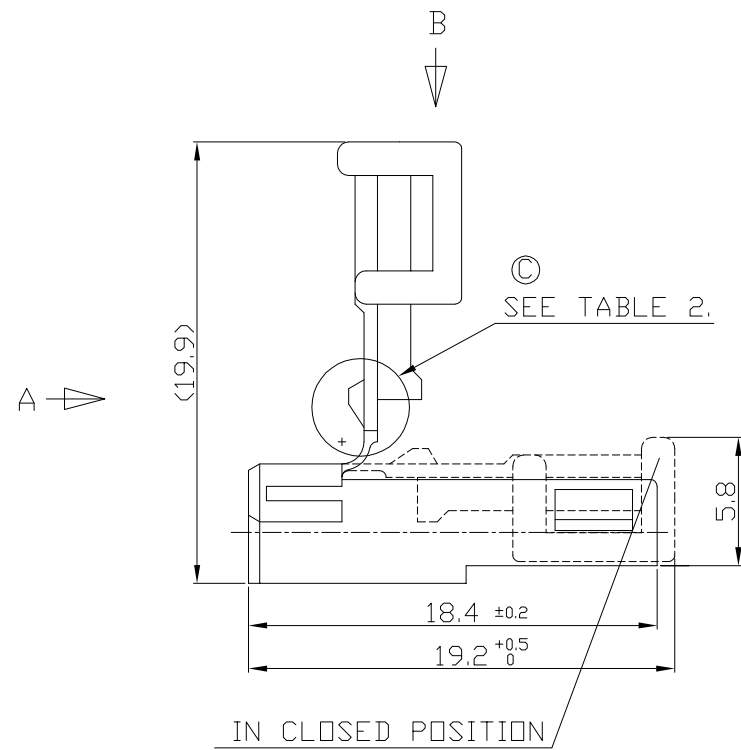
2

1

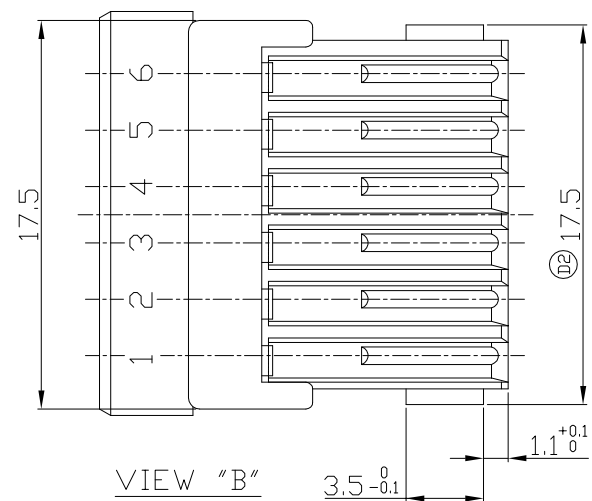
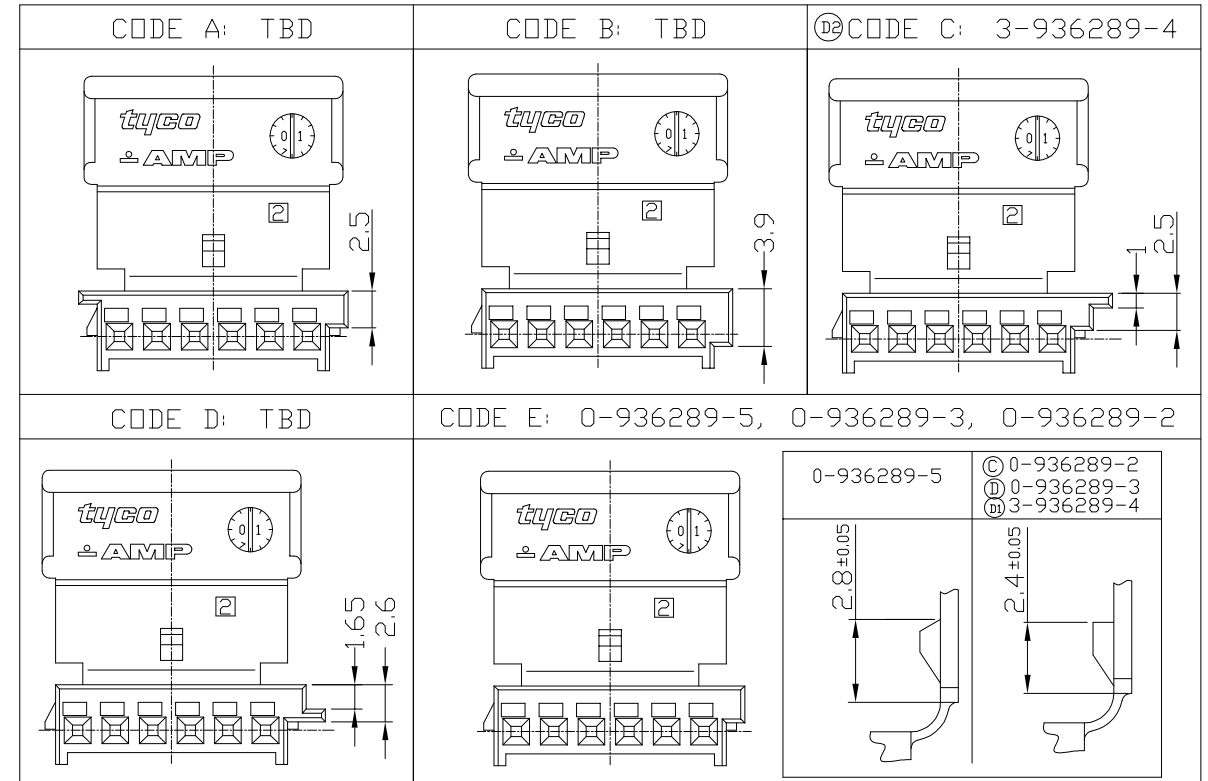
THIS DRAWING IS UNPUBLISHED. RELEASED FOR PUBLICATION
COPYRIGHT BY TYCO ELECTRONICS CORPORATION, ALL RIGHTS RESERVED.

REVISIONS

P	LTR	DESCRIPTION	DATE	DWN	APVD
	B	REVISED (FC00-0117-03)	13.AUG.'03	YD.	CS
	C	REVISED (ECR-06-010316)	09.MAY.'06	GC	JK
	D	REVISED (ECR-07-030400)	18.DEC.'07	YC	JK
	D1	REVISED (ECR-09-018252)	14.AUG.'09	YC	HG
	D2	REVISED (ECR-16-004121)	30.MAR.'16	JM	JW



(TABLE 1) SCALE 2:1



NO	CODE	COLOR	MATERIAL	DESCRIPTION	PART NO.	
①	7	E	GRAY	PA66	MQS. SOCKET HOUSING, 6POS. (CODING:E) 0-936289-3	
③	④	6	E	BLACK	⑤ PA66	MQS. SOCKET HOUSING, 6POS. (CODING:E) 0-936289-2
	5	E	NATURAL	PBT	MQS. SOCKET HOUSING, 6POS. (CODING:E) 0-936289-5	
	4	D	-	PBT	MQS. SOCKET HOUSING, 6POS. (CODING:D) TBD	
②	3	C	-	PBT	MQS. SOCKET HOUSING, 6POS. (CODING:C) 3-936289-4	
	2	B	-	PBT	MQS. SOCKET HOUSING, 6POS. (CODING:B) TBD	
	1	A	-	PBT	MQS. SOCKET HOUSING, 6POS. (CODING:A) TBD	

NOTE

- BE MATED WITH HEADER HSG (P/N : 936287) SMOOTHLY
- CODE IS AS FOLLOWS: SEE TABLE 1.
- APPLICABLE RECEPTACLE CONTACT P/N:

Part NO.	DESCRIPTION	WIRE SIZE(mm ²)
928999-1	MQS RECEPTACLE TML (SOCKET CONTACT)	0.2 ~ 0.5
963715-1	MQS RECEPTACLE TML (SOCKET CONTACT)	0.75

- MQS CONTACT(AVX-F: 0.5mm² / AVSS-X: 0.75mm²)

- ④ 0-936289-5 : ONLY EXPORT(LOCKING FORCE : MIN 4kgf)
- ① 0-936289-2, 0-936289-3 : LOCKING FORCE : OVER 8kgf)

THIS DRAWING IS A CONTROLLED DOCUMENT FOR TYCO ELECTRONICS CORPORATION IT IS SUBJECT TO CHANGE AND THE CONTROLLING ENGINEERING ORGANIZATION SHOULD BE CONTACTED FOR THE LATEST REVISION.

DIMENSIONS: MM	TOLERANCES UNLESS OTHERWISE SPECIFIED: 0 <XX<10 ± 0.2 10<XX<30 ± 0.25 30<XX ± 0.3 ANGLES ± 3°	DWN JM JEON	NAME TE TE Connectivity
		CHK -	
MATERIAL	FINISH	APVD JW JUNG	MQS. SOCKET HOUSING, 6POS
		PRODUCT SPEC -	
		APPLICATION SPEC -	SIZE A3
		WEIGHT -	CAGE CODE 00779
		CUSTOMER DRAWING	DRAWING NO 936289
			RESTRICTED TO -
			SCALE 3/1
			SHEET 1 OF 1
			REV D2